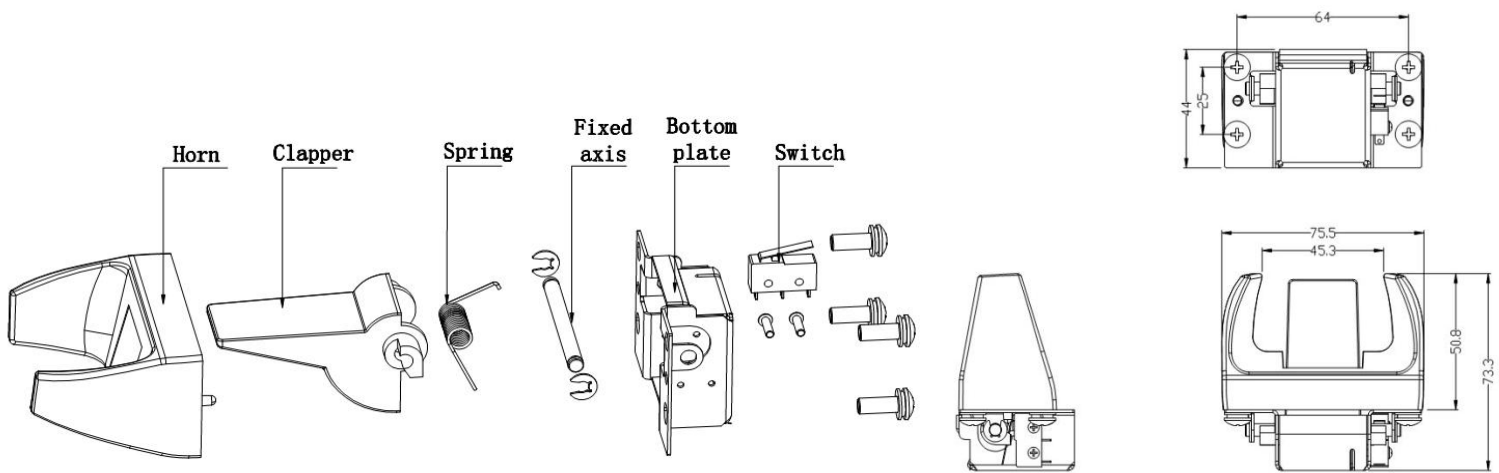




Service Life	>500,000
Protection Degree	IP65
Operate temperature	-30~+65°C
Relative humidity	30%-90%RH
Storage temperature	-40~+85°C
Relative humidity	20%~95%
Atmospheric pressure	60-106Kpa

Structure Drawing



Features

1. Made of high quality zinc alloy chrome, has strong anti-vandalism capability.
2. Surface plating, corrosion resistant.
3. High quality micro switch, continuity and reliability.
4. Compatible with most G-Style handsets